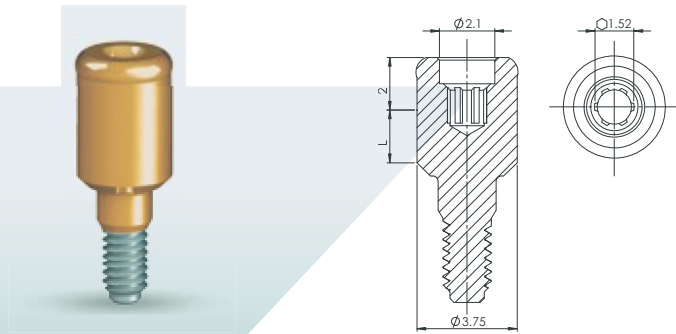


Flat Attachment

The flat attachment superstructure is intended to secure a removable prosthesis. The attachment is used in conjunction with a stainless steel cap and an intermediate silicone insert.

Material: Titanium (Ti6Al4V ELI)



Flat Attachment	L (mm)
 NM-T1100	0.5
 NM-T1101	1
 NM-T1102	2

Flat Attachment	L (mm)
 NM-T1103	3
 NM-T1104	4
 NM-T1105	5

Caps

Metal	Extra Soft Silicon	Soft Silicon	Standard Silicon	Laboratory	Sealing Disc
 NM-T3010					
	NM-T3015	NM-T3016	NM-T3017	NM-T3018	NM-T1824