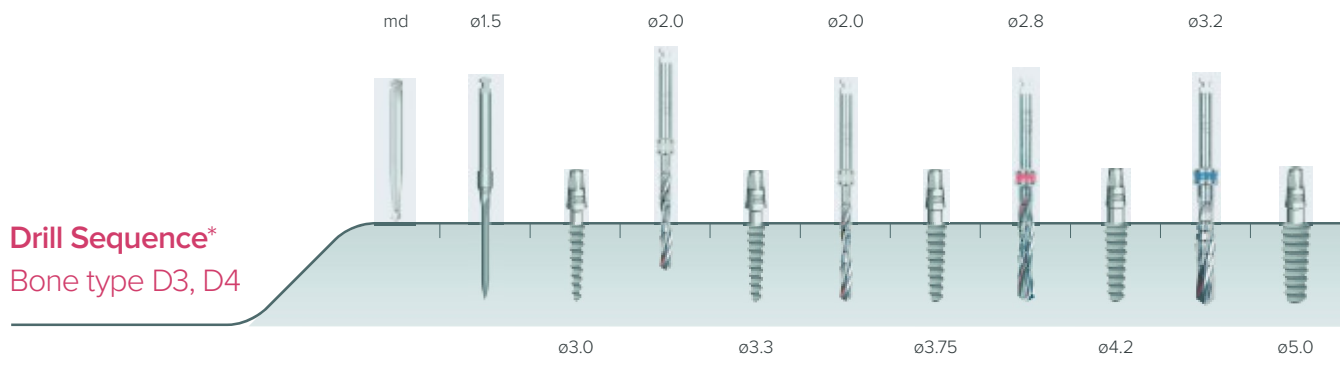
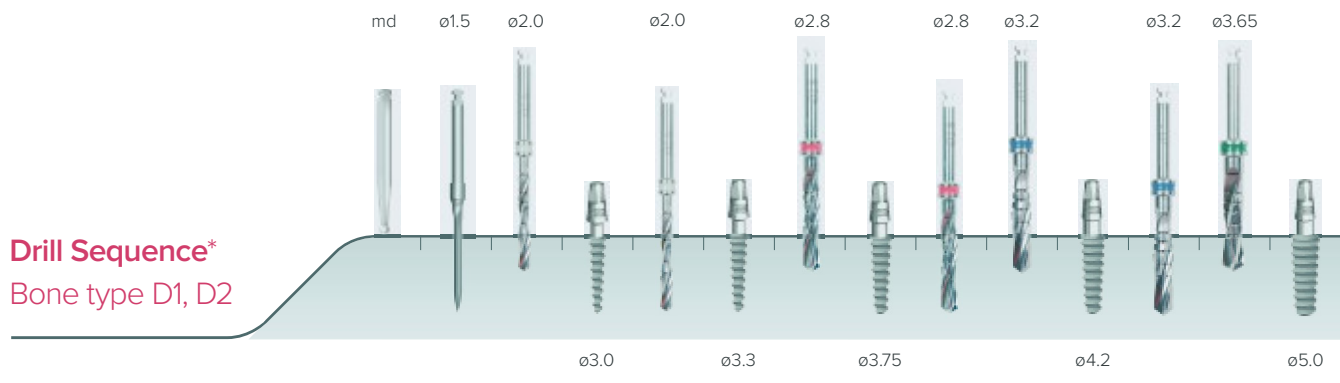
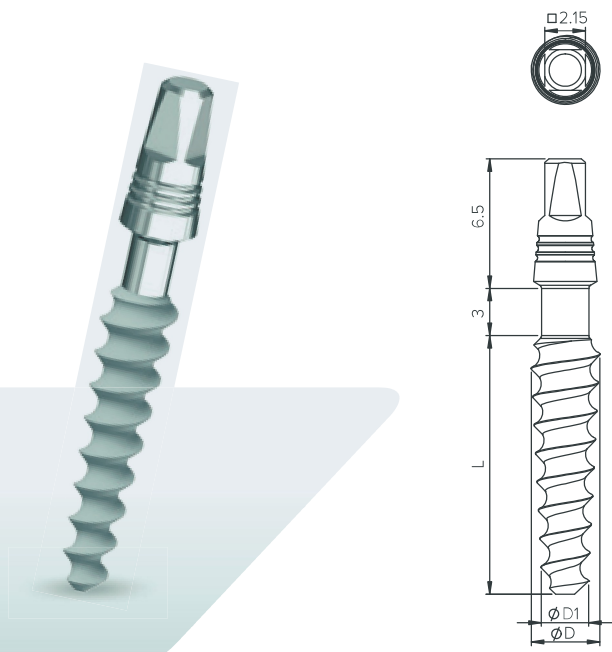


Mono






Mono implants are specifically indicated for replacing maxillary lateral incisors and mandibular central and lateral incisors. The implants are cleared for immediate, non-occlusal provisionalization in single-tooth restorations. Multiple-unit restorations should be splinted together. In appropriate clinical conditions MONO Implants may be loaded immediately.

Material: Titanium (Ti6Al4V ELI)

Treatment: RBM



* The proposed procedure is only a recommendation and should not replace the doctor's judgment. The implants may be placed in immediate function when good primary stability has been achieved and with appropriate occlusal loading.

Implants	Ø D (mm)	Ø D1 (mm)	L (mm)	Item
	3.0	1.7	10	NM-V3010
			11.5	NM-V3011
			13	NM-V3013
			16	NM-V3016
	3.3	2.0	10	NM-V3310
			11.5	NM-V3311
			13	NM-V3313
			16	NM-V3316
	3.75	2.4	10	NM-V3710
			11.5	NM-V3711
			13	NM-V3713
			16	NM-V3716
	4.2	2.9	10	NM-V4210
			11.5	NM-V4211
			13	NM-V4213
			16	NM-V4216
			18	NM-V4218
	5.0	3.7	10	NM-V5010
			11.5	NM-V5011
			13	NM-V5013

Mono Drivers

