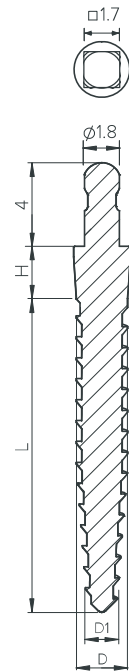
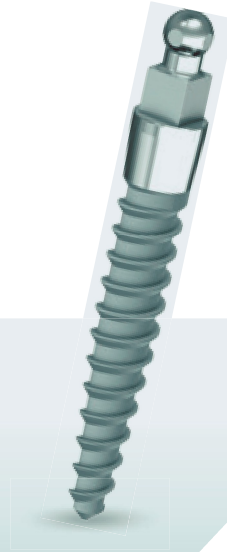


# MBI

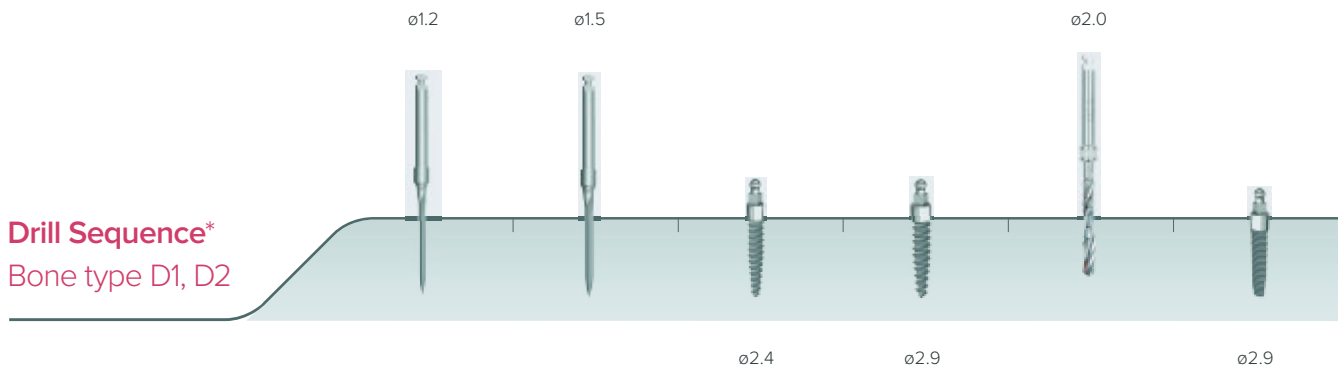
MBI is One-Piece, self-tapping Implant, with integrated ball attachment, for single-stage implantation to stabilize a tissue-supported denture. Designed for placement in a very narrow ridge, or in ridges with small mesiodistal space, MBI features a unique thread for immediate insertion. The implant can be placed in all types of bone and can be subjected to immediate load.

*Material: Titanium (Ti6Al4V ELI)*

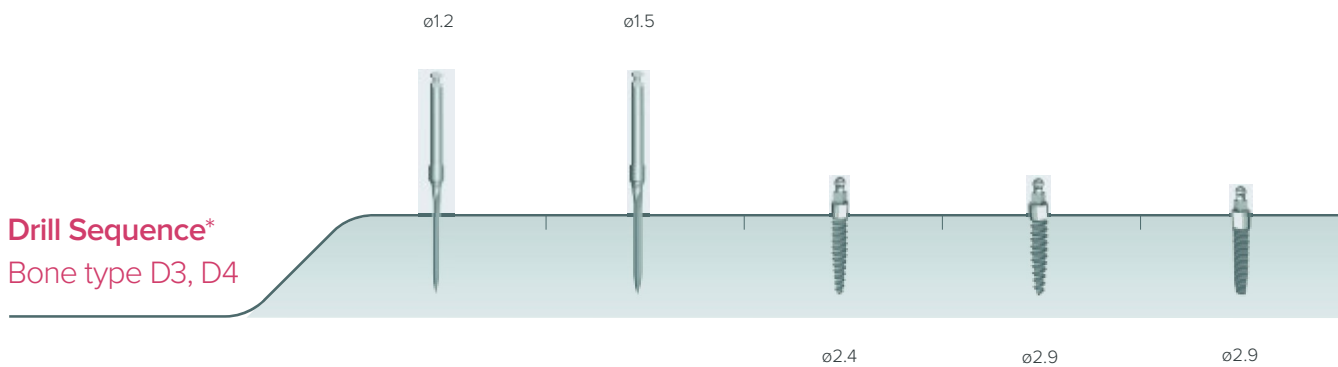
*Treatment: RBM*






## Drill Sequence\* Bone type D1, D2



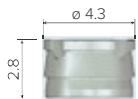
## Drill Sequence\* Bone type D3, D4



\* The proposed procedure is only a recommendation and should not replace the doctor's judgment. The implants may be placed in immediate function when good primary stability has been achieved and with appropriate occlusal loading.

Implants	Ø D (mm)	Ø D1 (mm)	neck (h) (mm)	L (mm)	Item
	2.4	1.5	2.5	10	NM-V2410
				13	NM-V2413
				16	NM-V2416
				18	NM-V2418
	2.9	1.9	2.5	10	NM-V2910
				13	NM-V2913
				16	NM-V2916
				18	NM-V2918
	2.9	1.9	2.5	10	NM-V2810
				13	NM-V2813
				16	NM-V2816
				18	NM-V2818

## MBI Components



NM-T3201

Metal Cap



NM-T3202

Extra Soft Silicon Cap



NM-T3203

Soft Silicon Cap



NM-D2312

Drill, Ø 1.2mm



NM-D2315

Drill, Ø 1.5mm



NM-X2415

Driver, □ 1.7mm



NM-T6124

Analog



NM-T4410

Transfer